



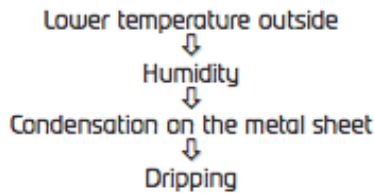
ANTI – CONDENSATION SHEETING INSTALLATION

Definition of the Product: Anti-Con Profiled Sheeting

Anti-Con is a fleece-lined profiled steel sheet which prevents condensation dripping from roofs.



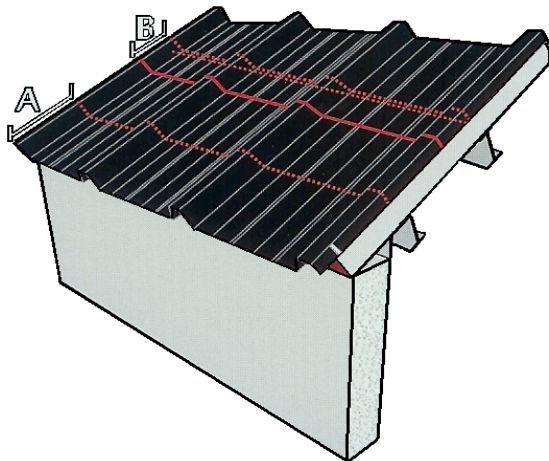
The occurrence of condensation



Anti-Con is an industrial nonwoven textile product containing a chemical binder with specific ingredients and a very porous surface. Anti-Con has excellent properties for the absorption of humidity. These absorption characteristics will prevent dripping, because it absorbs and stores the condensates which are formed until a rise in temperature dries the fleece out ready for another temperature cycle.

Our technical support team will advise you on the most efficient and cost effective use of anti-con sheeting. For example, projects that do not need insulation but avoidance of condensation in the building is required.

Anti-con, in certain circumstances, can be more effective than factory made insulated product and also more economical.



To prevent damp from rising by capillary effect the sheets must be painted with supplied varnish using a small paint brush as indicated on the drawing.

A) The bottom of the incline and all overlapping parts. The entire width of the overhang must be varnished up to its fastening point (a width of at least 150mm).

B) Overhang. The minimum width to be varnished is indicated in the table below.

SLOPE P (Degrees)	CLIMATIC AREAS	
	NORMAL AREAS	COASTAL AREAS AND / OR AREAS EXPOSED TO STRONG WIND
Between 7° & 10°	300	N/A
Between 10° & 15°	200	300
Over 15°	150	200